

**PLEASE CHECK WWW.MOLEX.COM FOR LATEST PART INFORMATION**

**Part Number:** **0039301049**  
**Status:** **Active**  
**Overview:** [minifit\\_jr](#)  
**Description:** 4.20mm (.165") Pitch Mini-Fit Jr.™ Header, Single Row, Vertical, with Snap-in Plastic Peg PCB Lock, 4 Circuits, PA Polyamide Nylon 6/6, UL 94V-2, Tin (Sn) Plating, without Drain Holes

**Documents:**

[3D Model](#) [Product Specification PS-5556-001 \(PDF\)](#)  
[Drawing \(PDF\)](#) [RoHS Certificate of Compliance \(PDF\)](#)

**Agency Certification**

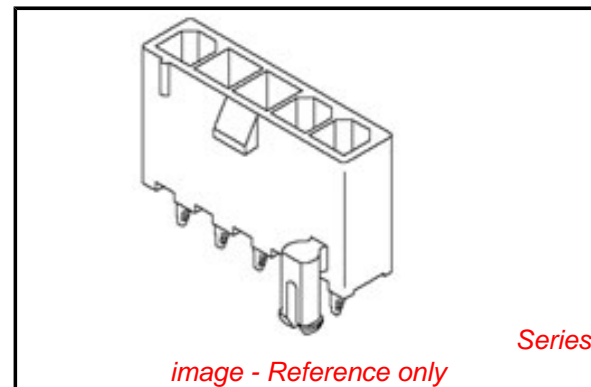
CSA	LR19980
TUV	R72081037
UL	E29179

**General**

Product Family	PCB Headers
Series	<a href="#">5566</a>
Application	Wire-to-Board
Comments	Current = 13A max. per circuit when header is mated to a receptacle loaded with <a href="#">45750</a> Mini-Fit Plus HCS™ Crimp Terminal Crimped to to 16 AWG wire. . See Molex product specification PS-45750-001 for additional current de-rating information.. High Temperature, Square Pin, Solder Type
Overview	<a href="#">minifit_jr</a>
Product Name	Mini-Fit Jr.™

**Physical**

Breakaway	No
Circuits (Loaded)	4
Circuits (maximum)	4
Color - Resin	Natural
Durability (mating cycles max)	30
First Mate / Last Break	No
Flammability	94V-2
Glow-Wire Compliant	No
Guide to Mating Part	No
Keying to Mating Part	None
Lock to Mating Part	Yes
Material - Metal	Brass
Material - Plating Mating	Tin
Material - Plating Termination	Tin
Material - Resin	Nylon
Number of Rows	1
Orientation	Vertical
PC Tail Length (in)	0.138 In
PC Tail Length (mm)	3.50 mm
PCB Locator	Yes
PCB Retention	Yes
PCB Thickness Recommended (in)	0.062 In
PCB Thickness Recommended (mm)	1.60 mm
Packaging Type	Tray
Pitch - Mating Interface (in)	0.165 In
Pitch - Mating Interface (mm)	4.20 mm



**EU RoHS**

**ELV and RoHS Compliant**  
**REACH SVHC**  
 Not Reviewed  
**Halogen-Free Status**  
**Not Reviewed**

**China RoHS**



**Need more information on product environmental compliance?**

Email [productcompliance@molex.com](mailto:productcompliance@molex.com)  
 For a multiple part number RoHS Certificate of Compliance, [click here](#)

Please visit the [Contact Us](#) section for any non-product compliance questions.

**Search Parts in this Series**

[5566Series](#)

**Mates With**

[5557](#) Mini-Fit Jr.™ Receptacle Housing

Pitch - Term. Interface (in)	0.165 In
Pitch - Term. Interface (mm)	4.20 mm
Plating min: Mating (µin)	355.6
Plating min: Mating (µm)	8.89
Plating min: Termination (µin)	355.6
Plating min: Termination (µm)	8.89
Polarized to Mating Part	Yes
Polarized to PCB	Yes
Shrouded	Fully
Stackable	No
Surface Mount Compatible (SMC)	No
Temperature Range - Operating	-40°C to +105°C
Termination Interface: Style	Through Hole

### **Electrical**

Current - Maximum per Contact	13A
Voltage - Maximum	600V

### **Solder Process Data**

Duration at Max. Process Temperature (seconds)	5
Lead-free Process Capability	Wave Capable (TH only)
Max. Cycles at Max. Process Temperature	1
Process Temperature max. C	240

### **Material Info**

Old Part Number	5566-04A3
-----------------	-----------

### **Reference - Drawing Numbers**

Packaging Specification	PK-5566-002
Product Specification	PS-5556-001
Sales Drawing	SDA-5566-NL*
Test Summary	TS-5556-002

This document was generated on 05/21/2010

**PLEASE CHECK [WWW.MOLEX.COM](http://WWW.MOLEX.COM) FOR LATEST PART INFORMATION**

13	12	11	10	9	8	7
PASSIVE LOCK WITH MTC, PEGS, 94V-2 HOUSING MATERIAL						
PART NO	ENG NO	CKT DRAIN SIZE/HOLE	PLATING OPTION	PART NO	ENG NO	CKT DRAIN SIZE/HOLE
NO E.D.P.	5566-04B4	4	YES TIN OVER COPPER	NO E.D.P.	5566-04B4-210	4
NO E.D.P.	5566-05B4	5	YES TIN OVER COPPER	NO E.D.P.	5566-05B4-210	5
NO E.D.P.	5566-06B4	6	YES TIN OVER COPPER	NO E.D.P.	5566-06B4-210	6
NO E.D.P.	5566-07B4	7	YES TIN OVER COPPER	NO E.D.P.	5566-07B4-210	7
NO E.D.P.	5566-08B4	8	YES TIN OVER COPPER	NO E.D.P.	5566-08B4-210	8
NO E.D.P.	5566-09B4	9	YES TIN OVER COPPER	NO E.D.P.	5566-09B4-210	9
NO E.D.P.	5566-10B4	10	YES TIN OVER COPPER	NO E.D.P.	5566-10B4-210	10
NO E.D.P.	5566-11B4	11	YES TIN OVER COPPER	NO E.D.P.	5566-11B4-210	11
NO E.D.P.	5566-12B4	12	YES TIN OVER COPPER	NO E.D.P.	5566-12B4-210	12
NO E.D.P.	5566-04A4	4	NO TIN OVER COPPER	NO E.D.P.	5566-04A4-210	4
NO E.D.P.	5566-05A4	5	NO TIN OVER COPPER	NO E.D.P.	5566-05A4-210	5
NO E.D.P.	5566-06A4	6	NO TIN OVER COPPER	NO E.D.P.	5566-06A4-210	6
NO E.D.P.	5566-07A4	7	NO TIN OVER COPPER	NO E.D.P.	5566-07A4-210	7
NO E.D.P.	5566-08A4	8	NO TIN OVER COPPER	NO E.D.P.	5566-08A4-210	8
NO E.D.P.	5566-09A4	9	NO TIN OVER COPPER	NO E.D.P.	5566-09A4-210	9
NO E.D.P.	5566-10A4	10	NO TIN OVER COPPER	NO E.D.P.	5566-10A4-210	10
NO E.D.P.	5566-11A4	11	NO TIN OVER COPPER	NO E.D.P.	5566-11A4-210	11
NO E.D.P.	5566-12A4	12	NO TIN OVER COPPER	NO E.D.P.	5566-12A4-210	12
NO E.D.P.	5566-04B4GS	4	YES 30 MI. SELECT GOLD	NO E.D.P.	5566-04B4GS-210	4
NO E.D.P.	5566-05B4GS	5	YES 30 MI. SELECT GOLD	NO E.D.P.	5566-05B4GS-210	5
NO E.D.P.	5566-06B4GS	6	YES 30 MI. SELECT GOLD	NO E.D.P.	5566-06B4GS-210	6
NO E.D.P.	5566-07B4GS	7	YES 30 MI. SELECT GOLD	NO E.D.P.	5566-07B4GS-210	7
NO E.D.P.	5566-08B4GS	8	YES 30 MI. SELECT GOLD	NO E.D.P.	5566-08B4GS-210	8
NO E.D.P.	5566-09B4GS	9	YES 30 MI. SELECT GOLD	NO E.D.P.	5566-09B4GS-210	9
NO E.D.P.	5566-10B4GS	10	YES 30 MI. SELECT GOLD	NO E.D.P.	5566-10B4GS-210	10
NO E.D.P.	5566-11B4GS	11	YES 30 MI. SELECT GOLD	NO E.D.P.	5566-11B4GS-210	11
NO E.D.P.	5566-12B4GS	12	YES 30 MI. SELECT GOLD	NO E.D.P.	5566-12B4GS-210	12
NO E.D.P.	5566-04A4GS	4	NO 30 MI. SELECT GOLD	NO E.D.P.	5566-04A4GS-210	4
NO E.D.P.	5566-05A4GS	5	NO 30 MI. SELECT GOLD	NO E.D.P.	5566-05A4GS-210	5
NO E.D.P.	5566-06A4GS	6	NO 30 MI. SELECT GOLD	NO E.D.P.	5566-06A4GS-210	6
NO E.D.P.	5566-07A4GS	7	NO 30 MI. SELECT GOLD	NO E.D.P.	5566-07A4GS-210	7
NO E.D.P.	5566-08A4GS	8	NO 30 MI. SELECT GOLD	NO E.D.P.	5566-08A4GS-210	8
NO E.D.P.	5566-09A4GS	9	NO 30 MI. SELECT GOLD	NO E.D.P.	5566-09A4GS-210	9
NO E.D.P.	5566-10A4GS	10	NO 30 MI. SELECT GOLD	NO E.D.P.	5566-10A4GS-210	10
NO E.D.P.	5566-11A4GS	11	NO 30 MI. SELECT GOLD	NO E.D.P.	5566-11A4GS-210	11
NO E.D.P.	5566-12A4GS	12	NO 30 MI. SELECT GOLD	NO E.D.P.	5566-12A4GS-210	12

13	12	11	10	9	8	7
POSITIVE LOCK WITH MTC, PEGS, 94V-2 HOUSING MATERIAL						
PART NO	ENG NO	CKT DRAIN SIZE/HOLE	PLATING OPTION	PART NO	ENG NO	CKT DRAIN SIZE/HOLE
39-30-2045	5566-04B3	4	YES TIN OVER COPPER	39-30-2046	5566-04B3-210	4
39-30-2055	5566-05B3	5	YES TIN OVER COPPER	39-30-2056	5566-05B3-210	5
39-30-2065	5566-06B3	6	YES TIN OVER COPPER	39-30-2066	5566-06B3-210	6
39-30-2075	5566-07B3	7	YES TIN OVER COPPER	39-30-2076	5566-07B3-210	7
39-30-2085	5566-08B3	8	YES TIN OVER COPPER	39-30-2086	5566-08B3-210	8
39-30-2095	5566-09B3	9	YES TIN OVER COPPER	39-30-2096	5566-09B3-210	9
39-30-2105	5566-10B3	10	YES TIN OVER COPPER	39-30-2106	5566-10B3-210	10
39-30-2115	5566-11B3	11	YES TIN OVER COPPER	39-30-2116	5566-11B3-210	11
39-30-2125	5566-12B3	12	YES TIN OVER COPPER	39-30-2126	5566-12B3-210	12
39-30-1049	5566-04A3	4	NO TIN OVER COPPER	39-30-2040	5566-04A3-210	4
39-30-1059	5566-05A3	5	NO TIN OVER COPPER	39-30-2050	5566-05A3-210	5
39-30-1069	5566-06A3	6	NO TIN OVER COPPER	39-30-2060	5566-06A3-210	6
39-30-1079	5566-07A3	7	NO TIN OVER COPPER	39-30-2070	5566-07A3-210	7
39-30-1089	5566-08A3	8	NO TIN OVER COPPER	39-30-2080	5566-08A3-210	8
39-03-1099	5566-09A3	9	NO TIN OVER COPPER	39-30-2090	5566-09A3-210	9
39-30-1109	5566-10A3	10	NO TIN OVER COPPER	39-30-2100	5566-10A3-210	10
39-30-1119	5566-11A3	11	NO TIN OVER COPPER	39-30-2110	5566-11A3-210	11
39-30-1129	5566-12A3	12	NO TIN OVER COPPER	39-30-2120	5566-12A3-210	12
39-30-2047	5566-04B3GS	4	YES 30 MI. SELECT GOLD	39-30-2048	5566-04B3GS-210	4
39-30-2057	5566-05B3GS	5	YES 30 MI. SELECT GOLD	39-30-2058	5566-05B3GS-210	5
39-30-2067	5566-06B3GS	6	YES 30 MI. SELECT GOLD	39-30-2068	5566-06B3GS-210	6
39-30-2077	5566-07B3GS	7	YES 30 MI. SELECT GOLD	39-30-2078	5566-07B3GS-210	7
39-30-2087	5566-08B3GS	8	YES 30 MI. SELECT GOLD	39-30-2088	5566-08B3GS-210	8
39-30-2097	5566-09B3GS	9	YES 30 MI. SELECT GOLD	39-30-2098	5566-09B3GS-210	9
39-30-2107	5566-10B3GS	10	YES 30 MI. SELECT GOLD	39-30-2108	5566-10B3GS-210	10
39-30-2117	5566-11B3GS	11	YES 30 MI. SELECT GOLD	39-30-2118	5566-11B3GS-210	11
39-30-2127	5566-12B3GS	12	YES 30 MI. SELECT GOLD	39-30-2128	5566-12B3GS-210	12
39-30-2041	5566-04A3GS	4	NO 30 MI. SELECT GOLD	39-30-2042	5566-04A3GS-210	4
39-30-2051	5566-05A3GS	5	NO 30 MI. SELECT GOLD	39-30-2052	5566-05A3GS-210	5
39-30-2061	5566-06A3GS	6	NO 30 MI. SELECT GOLD	39-30-2062	5566-06A3GS-210	6
39-30-2071	5566-07A3GS	7	NO 30 MI. SELECT GOLD	39-30-2072	5566-07A3GS-210	7
39-30-2081	5566-08A3GS	8	NO 30 MI. SELECT GOLD	39-30-2082	5566-08A3GS-210	8
39-30-2091	5566-09A3GS	9	NO 30 MI. SELECT GOLD	39-30-2092	5566-09A3GS-210	9
39-30-2101	5566-10A3GS	10	NO 30 MI. SELECT GOLD	39-30-2102	5566-10A3GS-210	10
39-30-2111	5566-11A3GS	11	NO 30 MI. SELECT GOLD	39-30-2112	5566-11A3GS-210	11
39-30-2121	5566-12A3GS	12	NO 30 MI. SELECT GOLD	39-30-2122	5566-12A3GS-210	12

6	5	4	3	2	1
PASSIVE LOCK WITH MTC, PEGS, 94V-0 HOUSING MATERIAL					
PART NO	ENG NO	CKT DRAIN SIZE/HOLE	PLATING OPTION	PART NO	ENG NO
NO E.D.P.	5566-04B4-210	4	YES TIN OVER COPPER	NO E.D.P.	5566-04B4-210
NO E.D.P.	5566-05B4-210	5	YES TIN OVER COPPER	NO E.D.P.	5566-05B4-210
NO E.D.P.	5566-06B4-210	6	YES TIN OVER COPPER	NO E.D.P.	5566-06B4-210
NO E.D.P.	5566-07B4-210	7	YES TIN OVER COPPER	NO E.D.P.	5566-07B4-210
NO E.D.P.	5566-08B4-210	8	YES TIN OVER COPPER	NO E.D.P.	5566-08B4-210
NO E.D.P.	5566-09B4-210	9	YES TIN OVER COPPER	NO E.D.P.	5566-09B4-210
NO E.D.P.	5566-10B4-210	10	YES TIN OVER COPPER	NO E.D.P.	5566-10B4-210
NO E.D.P.	5566-11B4-210	11	YES TIN OVER COPPER	NO E.D.P.	5566-11B4-210
NO E.D.P.	5566-12B4-210	12	YES TIN OVER COPPER	NO E.D.P.	5566-12B4-210
NO E.D.P.	5566-04A4-210	4	NO TIN OVER COPPER	NO E.D.P.	5566-04A4-210
NO E.D.P.	5566-05A4-210	5	NO TIN OVER COPPER	NO E.D.P.	5566-05A4-210
NO E.D.P.	5566-06A4-210	6	NO TIN OVER COPPER	NO E.D.P.	5566-06A4-210
NO E.D.P.	5566-07A4-210	7	NO TIN OVER COPPER	NO E.D.P.	5566-07A4-210
NO E.D.P.	5566-08A4-210	8	NO TIN OVER COPPER	NO E.D.P.	5566-08A4-210
NO E.D.P.	5566-09A4-210	9	NO TIN OVER COPPER	NO E.D.P.	5566-09A4-210
NO E.D.P.	5566-10A4-210	10	NO TIN OVER COPPER	NO E.D.P.	5566-10A4-210
NO E.D.P.	5566-11A4-210	11	NO TIN OVER COPPER	NO E.D.P.	5566-11A4-210
NO E.D.P.	5566-12A4-210	12	NO TIN OVER COPPER	NO E.D.P.	5566-12A4-210
NO E.D.P.	5566-04B4GS-210	4	YES 30 MI. SELECT GOLD	NO E.D.P.	5566-04B4GS-210
NO E.D.P.	5566-05B4GS-210	5	YES 30 MI. SELECT GOLD	NO E.D.P.	5566-05B4GS-210
NO E.D.P.	5566-06B4GS-210	6	YES 30 MI. SELECT GOLD	NO E.D.P.	5566-06B4GS-210
NO E.D.P.	5566-07B4GS-210	7	YES 30 MI. SELECT GOLD	NO E.D.P.	5566-07B4GS-210
NO E.D.P.	5566-08B4GS-210	8	YES 30 MI. SELECT GOLD	NO E.D.P.	5566-08B4GS-210
NO E.D.P.	5566-09B4GS-210	9	YES 30 MI. SELECT GOLD	NO E.D.P.	5566-09B4GS-210
NO E.D.P.	5566-10B4GS-210	10	YES 30 MI. SELECT GOLD	NO E.D.P.	5566-10B4GS-210
NO E.D.P.	5566-11B4GS-210	11	YES 30 MI. SELECT GOLD	NO E.D.P.	5566-11B4GS-210
NO E.D.P.	5566-12B4GS-210	12	YES 30 MI. SELECT GOLD	NO E.D.P.	5566-12B4GS-210
NO E.D.P.	5566-04A4GS-210	4	NO 30 MI. SELECT GOLD	NO E.D.P.	5566-04A4GS-210
NO E.D.P.	5566-05A4GS-210	5	NO 30 MI. SELECT GOLD	NO E.D.P.	5566-05A4GS-210
NO E.D.P.	5566-06A4GS-210	6	NO 30 MI. SELECT GOLD	NO E.D.P.	5566-06A4GS-210
NO E.D.P.	5566-07A4GS-210	7	NO 30 MI. SELECT GOLD	NO E.D.P.	5566-07A4GS-210
NO E.D.P.	5566-08A4GS-210	8	NO 30 MI. SELECT GOLD	NO E.D.P.	5566-08A4GS-210
NO E.D.P.	5566-09A4GS-210	9	NO 30 MI. SELECT GOLD	NO E.D.P.	5566-09A4GS-210
NO E.D.P.	5566-10A4GS-210	10	NO 30 MI. SELECT GOLD	NO E.D.P.	5566-10A4GS-210
NO E.D.P.	5566-11A4GS-210	11	NO 30 MI. SELECT GOLD	NO E.D.P.	5566-11A4GS-210
NO E.D.P.	5566-12A4GS-210	12	NO 30 MI. SELECT GOLD	NO E.D.P.	5566-12A4GS-210

6	5	4	3	2	1
POSITIVE LOCK WITH MTC, PEGS, 94V-0 HOUSING MATERIAL					
PART NO	ENG NO	CKT DRAIN SIZE/HOLE	PLATING OPTION	PART NO	ENG NO
39-30-2046	5566-04B3-210	4	YES TIN OVER COPPER	39-30-2046	5566-04B3-210
39-30-2056	5566-05B3-210	5	YES TIN OVER COPPER	39-30-2056	5566-05B3-210
39-30-2066	5566-06B3-210	6	YES TIN OVER COPPER	39-30-2066	5566-06B3-210
39-30-2076	5566-07B3-210	7	YES TIN OVER COPPER	39-30-2076	5566-07B3-210
39-30-2086	5566-08B3-210	8	YES TIN OVER COPPER	39-30-2086	5566-08B3-210
39-30-2096	5566-09B3-210	9	YES TIN OVER COPPER	39-30-2096	5566-09B3-210
39-30-2106	5566-10B3-210	10	YES TIN OVER COPPER	39-30-2106	5566-10B3-210
39-30-2116	5566-11B3-210	11	YES TIN OVER COPPER	39-30-2116	5566-11B3-210
39-30-2126	5566-12B3-210	12	YES TIN OVER COPPER	39-30-2126	5566-12B3-210
39-30-2040	5566-04A3-210	4	NO TIN OVER COPPER	39-30-2040	5566-04A3-210
39-30-2050	5566-05A3-210	5	NO TIN OVER COPPER	39-30-2050	5566-05A3-210
39-30-2060	5566-06A3-210	6	NO TIN OVER COPPER	39-30-2060	5566-06A3-210
39-30-2070	5566-07A3-210	7	NO TIN OVER COPPER	39-30-2070	5566-07A3-210
39-30-2080	5566-08A3-210	8	NO TIN OVER COPPER	39-30-2080	5566-08A3-210
39-30-2090	5566-09A3-210	9	NO TIN OVER COPPER	39-30-2090	5566-09A3-210
39-30-2100	5566-10A3-210	10	NO TIN OVER COPPER	39-30-2100	5566-10A3-210
39-30-2110	5566-11A3-210	11	NO TIN OVER COPPER	39-30-2110	